




## PFXGE4401WAD

### Functional Specification

<b>Display Type</b>	TFT Color LCD	
<b>Display Size</b>	7.0" Wide	
<b>Resolution</b>	800 x 480 pixels (WVGA)	
<b>Effective Display Area</b>	154.08 x 85.92 mm [6.066 x 3.382 in.]	
<b>Display Colors</b>	65,536 Colors	
<b>Backlight</b>	LED	
<b>Brightness Control</b>	8 levels available via touch panel	
<b>Backlight Service Life</b>	20,000 hours or more (continuous operation at 25°C [75°F] before backlight brightness decreased to 50%)*1	
<b>Language Fonts</b>	English*2	
<b>Character Sizes</b>	Standard font: 8 x 8, 8 x 16, 16 x 16 and 32 x 32 pixel fonts	
<b>Font Sizes</b>	Width can be expanded 1, 2, 4, and 8 times. Height can be expanded 1/2, 1, 2, 4, and 8 times.	
<b>Text</b>	<b>8 x 8 dots</b>	40 char. x 30 rows
	<b>8 x 16 dots</b>	40 char. x 15 rows
	<b>16 x 16 dots</b>	20 char. x 15 rows
	<b>32 x 32 dots</b>	10 char. x 7 rows
<b>Application Memory</b>	FLASH ROM 8 MB*3	
<b>Data Backup</b>	NVS RAM 128 KB	
<b>Clock Accuracy</b>	Variations in operating conditions and battery life can cause a clock inaccuracy from -380 to +90 seconds per month.	
<b>Touch Panel Type</b>	Resistive Film (analog)	
<b>Touch Panel Service Life</b>	1 million switch and 100 thousand slide operations	
<b>Interface</b>	<b>Serial (COM1)</b>	RS-232C Asynchronous Transmission, Data Length: 7 or 8 bit, Parity: None, Odd or Even, Stop Bit:1 or 2 bit, Data Transmission Speed:2,400 bps to 115,200 bps D-Sub 9 pin (plug)
	<b>Serial (COM2)</b>	RS-422 / RS-485 Asynchronous Transmission, Data Length: 7 or 8 bit, Parity: None, Odd or Even, Stop Bit:1 or 2 bit, Data Transmission Speed:2,400 bps to 187,500 bps D-Sub 9 pin (plug)
	<b>USB (TYPE-A)</b>	Conforms to USB2.0 (Type A) x 1, Maximum Transmission Distance: 5m (16.40 ft)
	<b>USB (mini-B)</b>	Used for application download

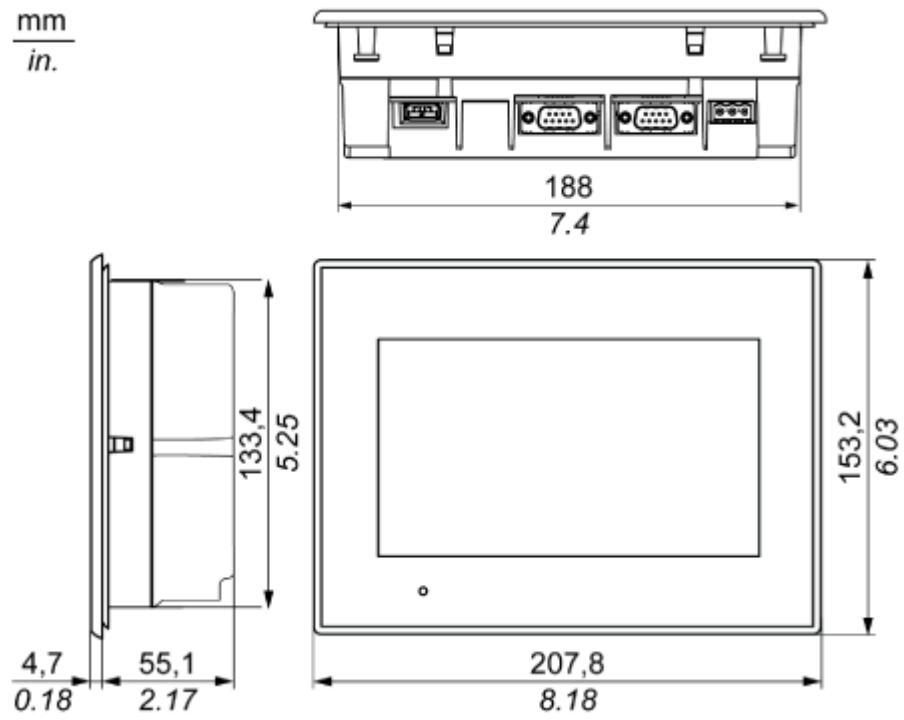
1. To save the life of the backlight, set the unit in standby mode which automatically turns the backlight off when no touch input is detected within a set time.
2. Please refer to the GP-Pro EX Reference Manual for details on font types and character codes.
3. Capacity available for user application. The capacity depends on how many fonts you load from the Editor software.

## General Specification

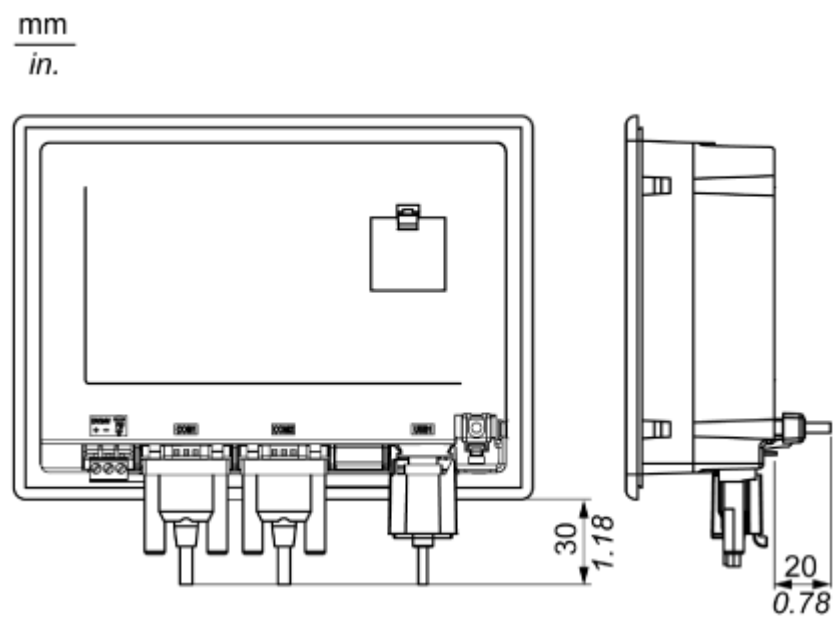
<b>International Safety Standards</b>	
<b>Rated Input Voltage</b>	DC 24 V
<b>Allowable Voltage Drop</b>	1 ms or less with lowest input voltage, 10 ms or less with rated input voltage
<b>Power Consumption</b>	8.2 W
<b>In-Rush Current</b>	50 A or less* <a href="#">4</a>
<b>Voltage Endurance</b>	AC600V 20mA for 1 min.
<b>Insulation Resistance</b>	10MΩ or higher at DC500V
<b>Surrounding Air Temperature</b>	0 to 50 °C [32 to 122 °F]
<b>Storage Temperature</b>	-20 to 60 °C [-4 to 140 °F]
<b>Ambient Humidity</b>	85 % RH (Wet bulb temperature: 39 °C [102.2 °F] or less - no condensation.)
<b>Storage Humidity</b>	85 % RH (Wet bulb temperature: 39 °C [102.2 °F] or less - no condensation.)
<b>Dust</b>	0.1 mg/m <sup>3</sup> (10 <sup>-7</sup> oz/ft <sup>3</sup> ) or less (non-conductive levels)
<b>Pollution Degree</b>	For use in Pollution Degree 2 environment
<b>Atmosphere</b>	Free of corrosive gases
<b>Air Pressure (altitude range)</b>	800 to 1,114 hPa (2,000 m above sea level or less)
<b>Vibration Resistance</b>	IEC/EN60068-2-6, 5 to 150 Hz, 3.5 mm (0.38 in) max., 1gn pm 3 axes
<b>Concussion Resistance</b>	IEC 60068 - 2 - 27, 1/2 sinusoidal pulse for 11 ms, 15g on 3 axes
<b>Electrostatic Discharge Immunity</b>	EN/IEC 61131-2 4 kV contact, 8 kV air
<b>Electromagnetic Compatibility (EMC)</b>	IEC 61000 - 4 - 5, 0.5 kV (Differential Mode on power supply), 1 kV (Common Mode on power supply)
<b>Grounding</b>	Observe local codes and standards. The ground connection must have a resistance 0.1Ω or less and the ground wire must have a cross section of at least 2 mm <sup>2</sup> (AWG 14).
<b>Structure</b>	Front Panel: IP 65 (IEC60529), Enclosure type 4 indoor use only (UI50) with screw installation fasteners, Rear Panel: IP 20 (IEC 60529)
<b>Cooling Method</b>	Natural air circulation
<b>External Dimensions</b>	207.8 mm [8.18 in] x 153.2 mm [6.03 in] x 59.8 mm [2.36 in]

4. For in-rush current, the FWHM (full-width, half maximum) value is approximately 50 μs (when exceeding 25 A).

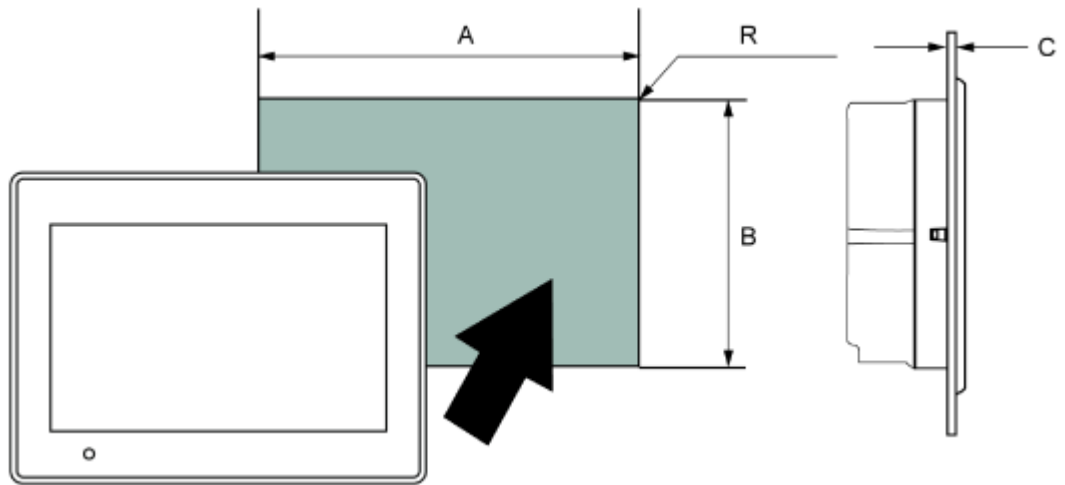
## External Dimensions



## External Dimensions with Cables



## Panel Cut-out



A	B	C (Panel Thickness)	R
190 <sup>±1</sup> mm (7.48 <sup>±0.04</sup> in)	135 <sup>±0.7</sup> mm (5.31 <sup>±0.03</sup> in)	1.5 to 10 mm (0.06 to 0.39 in)	3 mm (0.12 in) max.